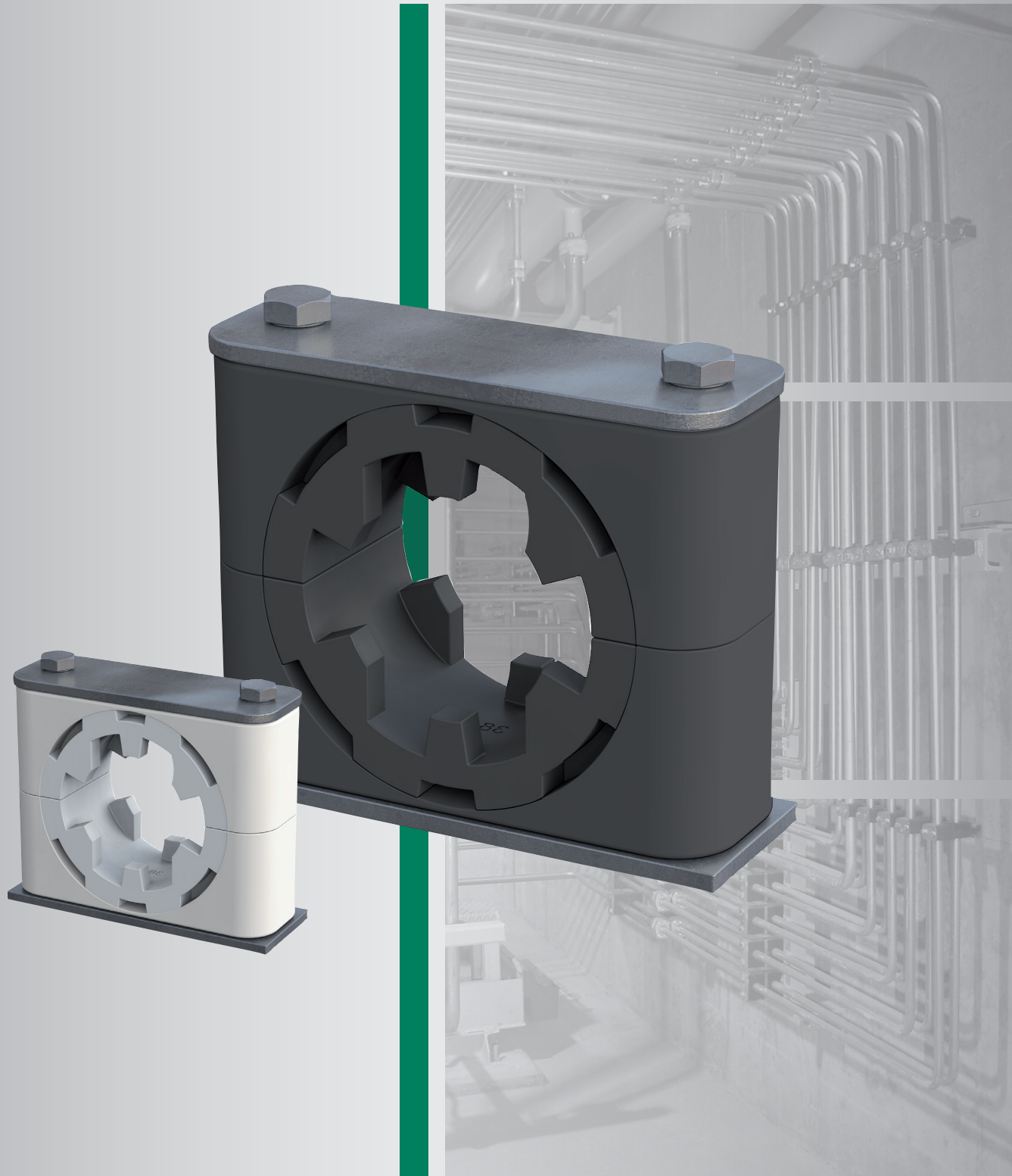




Local Solutions For Individual Customers Worldwide



## Noise and Vibration Damping with STAUFF NRC Noise Reduction Clamps

Product Catalogue

## Noise and Vibration Damping with STAUFF NRC Noise Reduction Clamps

### Product Description

STAUFF NRC type clamps were designed for the noise and vibration reducing installation of pipes and tubes with the most common outside diameters between 6 and 42 mm and ¼ to 1 ½ inch respectively.

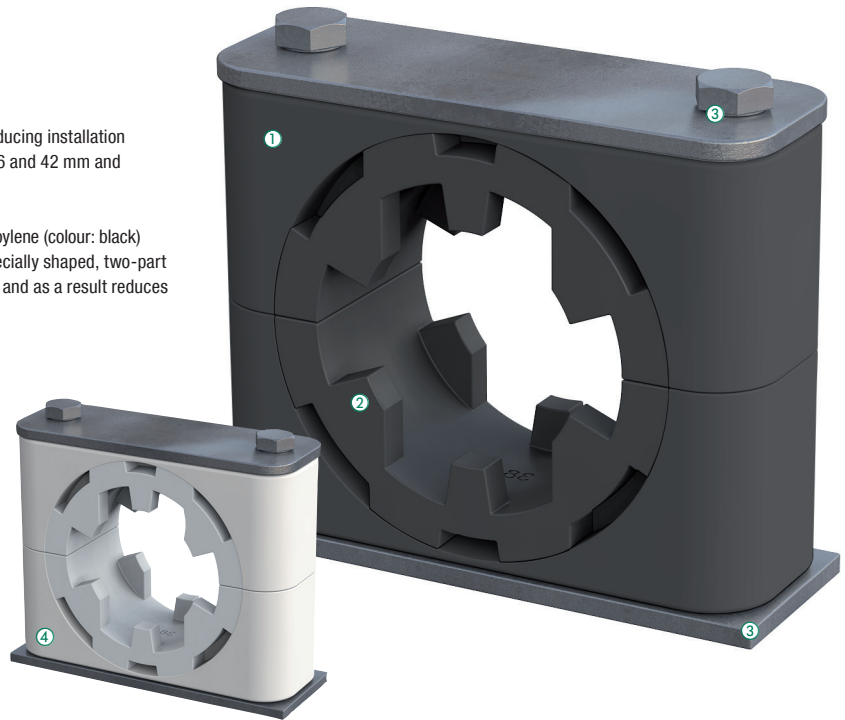
The working principle is based on clamp bodies ① made from Polypropylene (colour: black) following the Standard Series according to DIN 3015 (part 1) with a specially shaped, two-part elastomer insert ②, which mechanically absorbs vibrations in the pipe and as a result reduces noises arising to a minimum.

The insert is in particular distinguished by how little of its surface is in contact with the pipe and clamp body, and as a result is far more effective than the previously known solutions.

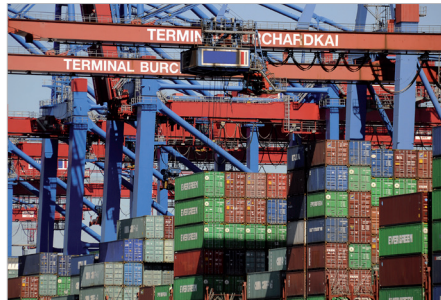
The tongue-groove contour of the insert and body, which is reversed and thus diverges from DIN 3015, enables the system to be used for the widest possible range of pipe diameters per clamp size, which contributes to flexibility and versatility.

STAUFF NRC Clamps are completely compatible with the commonly used steel and stainless steel mounting hardware ③, and if necessary can simply be replaced or retrofitted.

STAUFF also provides an alternative version ④ especially for use in safety-critical areas, which is made completely out of flame resistant materials according to international standards and directives, and meets the demanding requirements with regards to preventive fire protection.



### Typical Applications



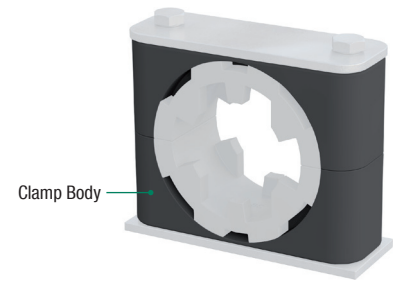
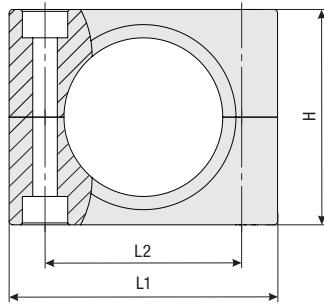
**Mobile and stationary machines in harbour and loading areas as well as municipal and commercial vehicles**

- Reducing the overall level of noise emissions, especially in urban areas
- Improving occupational health and safety
- Contributing to build machinery that conforms to the Machinery Directive 2006/42/EC and the Outdoor Directive 2000/14/EC of the European Parliament and of the Council



**Civil shipping, i.e. on cruise ships as well as yachts and sport boats**

- Maximising flexibility with the design, layout and positioning of noise-intensive pipes and tubes (e.g. in close proximity to cabins or crew quarters)
- Making a great contribution to comfort and facilitating communication on board (e.g. for engine and control rooms)
- Reducing of underwater noise in order to protect the maritime environment

**Clamp Body - Type PP-NRC**


Group	STAUFF	DIN	Dimensions (mm/in)			Width	Order Codes Clamp Body (2 Halves)
			L1	L2	H		
2		2	42	26	32	30	2-PP-NRC
			1.65	1.02	1.26		
3		3	50	33	35,5	30	3-PP-NRC
			1.97	1.30	1.40		
4		4	59	40	41,5	30	4-PP-NRC
			2.32	1.57	1.63		
5		5	71	52	56,5	30	5-PP-NRC
			2.80	2.05	2.22		
6		6	86	66	64,5	30	6-PP-NRC
			3.39	2.60	2.54		

**Order Codes**

**NRC Clamp Body** **\*2-\*PP-NRC**

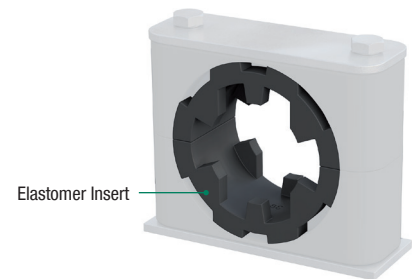
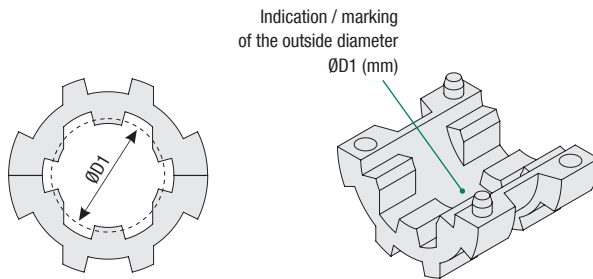
\* STAUFF Group **2**

\* Material Polypropylene (Colour: Black) **PP-NRC**

One clamp body is consisting of two clamp halves.

Alternative materials and colours are available on request.  
Please consult STAUFF for further information.

Standard packaging unit: 25 clamp bodies per bag (equals 50 clamp halves).

**Elastomer Insert - Type RI-NRC**


Group	STAUFF	DIN	Outside diameter Pipe / Tube ØD1		Nominal Bore		Copper tube ASTM B88 (in)	Order Codes Elastomer Insert (2 Halves)
			(mm)	(in)	Pipe (in)			
2		2	6					RI-NRC-6-2
			8		5/16			RI-NRC-8-2
			10			1/8		RI-NRC-10-2
			12					RI-NRC-12-2
			12,7		1/2			RI-NRC-12.7-2
3		3	14					RI-NRC-14-3
			15					RI-NRC-15-3
			16		5/8		1/2	RI-NRC-16-3
4		4	18					RI-NRC-18-4
			20					RI-NRC-20-4
5		5	21,3			1/2		RI-NRC-21.3-5
			22				3/4	RI-NRC-22-5
			25					RI-NRC-25-5
			26,9			3/4		RI-NRC-26.9-5
			28					RI-NRC-28-5
			30					RI-NRC-30-5
6		6	32		1-1/4			RI-NRC-32-5
			33,7			1		RI-NRC-33.7-6
			35				1-1/4	RI-NRC-35-6
			38		1-1/2			RI-NRC-38-6
			40					RI-NRC-40-6
			42		1-1/4		RI-NRC-42-6	

**Order Codes**

**NRC Elastomer Insert** **\*RI-NRC-\*6-\*2**

\* Elastomer Insert **RI-NRC**

\* Exact outside diameter ØD1 (mm) **6**

\* STAUFF Group **2**

One elastomer insert is consisting of two insert halves.

Standard material is Thermoplastic Elastomer  
(Colour: Black) with a hardness degree of 73 Shore-A.  
Alternative materials and colours are available on request.  
Please consult STAUFF for further information.

Additional outside diameters are available upon request. Please consult STAUFF for further information.  
Standard packaging unit: 25 elastomer inserts per bag (equals 50 insert halves).