

Technical data sheet

Waltech® EWESK adjustable elbows with locknut

The new Danfoss Waltech EWESK adjustable elbows offer complete end-to-end tube-fitting solution



The Waltech EWESK series of adjustable elbow fittings are high in quality and easy to assemble and are ideal for mobile OEMs seeking an end-to-end tube-fitting solution.

Like the entire Waltech range of tube fittings, the robust, precision-engineered EWESK series offers simple, safe and repeatable assembly. Typical applications include vehicles used in the agriculture, construction, mining and quarrying sectors, as well as on-road commercial vehicles.

EWESK elbow fittings for 90° connections between a port and metric tube can be easily adjusted in rotational angle. After threading the fitting into the port and rotating it to the desired angle, the position can be fixed simply by tightening the locknut.

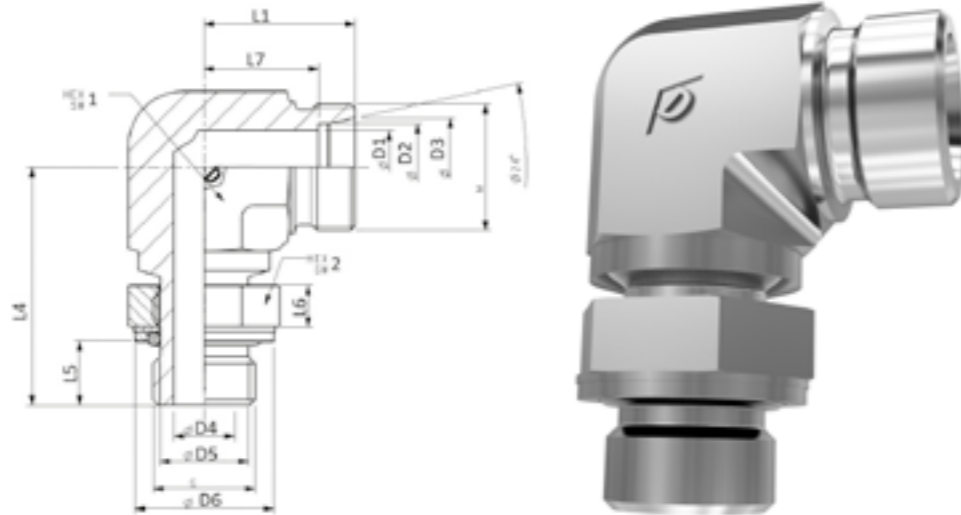
EWESK fittings meet the requirements of ISO 8434-1, ensuring high performance and durability. The low-torque attributes of the adjustable elbow facilitate both safe connectivity and easy assembly. A special plated finish helps reduce torque variance.

Rated at a minimum of 720 hours of red rust corrosion resistance, Waltech EWESK elbow fittings are ideal for rugged outdoor applications that extend from harvesters and balers, through to excavators, loaders and concrete pumping vehicles. EWESK elbows and the entire Waltech tube-fitting line have been designed and engineered to add value to a wide range of heavy-duty and commercial vehicles. Premium-quality engineering ensures the products exhibit robust design characteristics and straightforward, safe connectivity. High corrosion resistance and assembly strength are among further benefits for customers looking to specify complete end-to-end tube fitting solutions.

Adjustable locknut elbow

EWESK...R

- with O-ring made from NBR (e.g. Perbunan)
- Adjustable inch stud with O-ring and Washer to ISO 1179

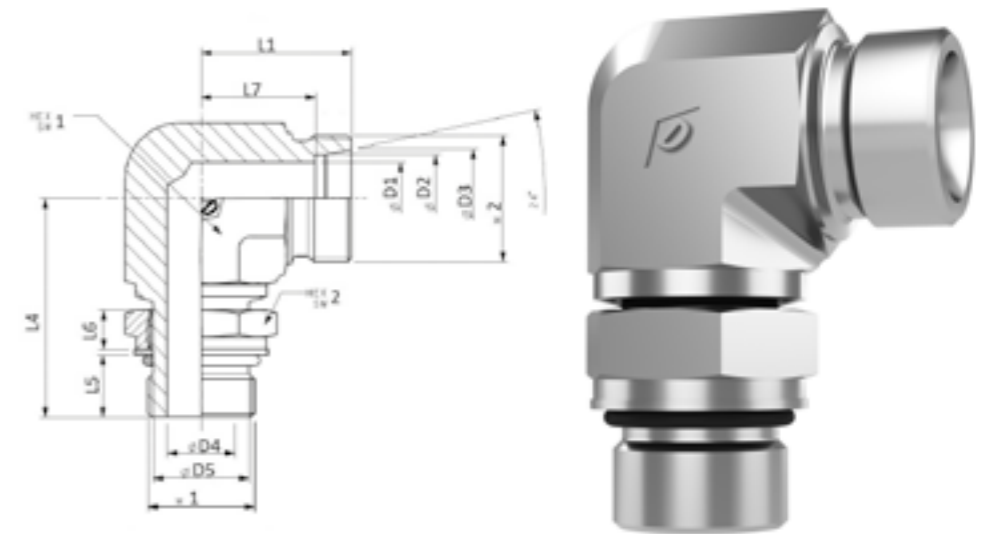


Series	PN bar (psi)	Tube OD	Model	Art. no.	G	M	HEX 1	HEX 2	L1	L4	L5	L6	L7	D1	D2	D3	D4	D5	D6
L	315	6	EWESK 6 LR	WAL627576	G 1/8 A	M12x1,5	14	14	21	26	7	5.6	14	4	6	8.1	4.5	8.27	15
		8	EWESK 8 LR	WAL627577	G 1/4 A	M14x1,5	14	19	23	32	9	7.1	16	6	8	10.1	7.5	11.11	19.5
		10	EWESK 10 LR	WAL627578	G 3/8 A	M16x1,5	19	19	24	34	9	7.1	17	8	10	12.3	7.5	11.11	19.5
		12	EWESK 12 L/R 1/4	WAL626471	G 3/8 A	M18x1,5	19	19	26	37	9	7.1	19	10	12	14.3	7.5	11.11	19.5
	12	EWESK 12 LR	WAL626469	G 3/8 A	M18x1,5	19	22	26	37	9	7.1	19	10	12	14.3	10	14.47	23.5	
	250	12	EWESK 12 L/R 1/2	WAL626465	G 1/2 A	M18x1,5	22	27	26	43	13	8.6	19	10	12	14.3	12.5	18.2	28.5
		15	EWESK 15 LR	WAL627579	G 1/2 A	M22x1,5	22	27	28	43	13	8.6	21	12	15	17.3	12.5	18.2	28.5
		18	EWESK 18 LR	WAL627580	G 1/2 A	M26x1,5	27	27	31	49	13	8.6	23.5	15	18	20.3	12.5	18.2	28.5
		22	EWESK 22 LR	WAL626468	G 3/4 A	M30x2	30	36	35	49	13	8.6	27.5	19	22	24.3	15.5	23.71	34.5
		28	EWESK 28 LR	WAL626470	G 1 A	M36x2	36	41	38	59	15	11.9	30.5	24	28	30.3	21.5	29.88	43.5
S		250	6	EWESK 6 SR	WAL627581	G 1/4 A	M14x1,5	14	19	22	32	9	7.1	15	4	6	8.1	7.5	11.11
	8		EWESK 8 SR	WAL627582	G 1/4 A	M16x1,5	19	19	24	36	9	7.1	17	5	8	10.1	7.5	11.11	19.5
	10		EWESK 10 SR	WAL627583	G 3/8 A	M18x1,5	19	22	25	38	9	7.1	17.5	7	10	12.3	10	14.47	23.5
	12		EWESK 12 SR	WAL627584	G 3/8 A	M20x1,5	22	22	29	38	9	7.1	21.5	8	12	14.3	10	14.47	23.5
	250	16	EWESK 16 SR	WAL626467	G 1/2 A	M24x1,5	27	27	33	49	13	8.6	24.5	12	16	18.3	12.5	18.2	28.5
		16	EWESK 16 S/R 3/4	WAL626464	G 3/4 A	M24x1,5	27	36	34.5	51	12	8.6	26	12	16	18.3	15.5	23.71	34.5
		20	EWESK 20 SR	WAL626463	G 3/4 A	M30x2	36	36	38	51	12	8.6	27.5	16	20	22.9	15.5	23.71	34.5
		25	EWESK 25 S/R 3/4	WAL627590	G 3/4 A	M36x2	36	36	42	58	13	8.6	30	20	25	27.9	15.5	23.71	34.5
		25	EWESK 25 SR	WAL627591	G 1 A	M36x2	36	41	42	58	14	11.9	30	20	25	27.9	21.5	29.88	43.5

Adjustable locknut elbow

EWESK...OR

- with O-ring made from NBR (e.g. Perbunan)
- Adjustable metric stud with O-ring and Washer to DIN EN ISO 6149



Series	PN bar (psi)	Tube OD	Model	Art. no.	M1	M2	HEX 1	HEX 2	L1	L4	L5	L6	L7	D1	D2	D3	D4	D5		
L	315	6	EWESK 6 LM-OR	WAL627596	M10x1	M12x1,5	14	14	21	27	8.6	6	14	4	6	8.1	4.5	8.4		
		8	EWESK 8 LM-OR	WAL627597	M12x1,5	M14x1,5	14	19	23	32	11.1	7.5	16	6	8	10.1	6	9.7		
		10	EWESK 10 LM-OR	WAL627598	M14x1,5	M16x1,5	19	19	24	35	11.1	7.5	17	8	10	12.3	7.5	11.7		
		12	EWESK 12 LM-OR	WAL627599	M16x1,5	M18x1,5	19	19	26	36	11.6	7.5	19	10	12	14.3	9	13.7		
		15	EWESK 15 LM-OR	WAL627600	M18x1,5	M22x1,5	22	27	28	41	12.6	7.5	21	12	15	17.3	11	15.7		
		18	EWESK 18 LM-OR	WAL627601	M22x1,5	M26x1,5	27	27	31	45	12.8	8	23.5	15	18	20.3	14	19.7		
		22	EWESK 22 LM-OR	WAL627602	M27x2	M30x2	30	36	35	49	15.8	10	27.5	19	22	24.3	18	24		
		28	EWESK 28 LM-OR	WAL627603	M33x2	M36x2	36	41	38	52	15.8	10	30.5	24	28	30.3	23	30		
		S	400	6	EWESK 6 SM-OR	WAL627604	M12x1,5	M14x1,5	14	19	22	32	11.1	8.5	15	4	6	8.1	4	9.7
				8	EWESK 8 SM-OR	WAL627605	M14x1,5	M16x1,5	19	19	24	36	11.1	8.5	17	5	8	10.1	6	11.7
10	EWESK 10 SM-OR			WAL627606	M16x1,5	M18x1,5	19	22	25	38	12.6	9	17.5	7	10	12.3	7	13.7		
12	EWESK 12 SM-OR			WAL627607	M18x1,5	M20x1,5	22	22	29	43	14.1	10.5	21.5	8	12	14.3	9	15.7		
16	EWESK 16 SM-OR			WAL627608	M22x1,5	M24x1,5	27	27	33	49	14.8	11	24.5	12	16	18.3	12	19.7		
20	EWESK 20 SM-OR			WAL627609	M27x2	M30x2	27	36	38	55	18.3	13.5	27.5	16	20	22.9	15	24		
25	EWESK 25 SM-OR			WAL627610	M33x2	M36x2	36	36	42	60	18.3	13.5	30	20	25	27.9	20	30		